

Unnix

By



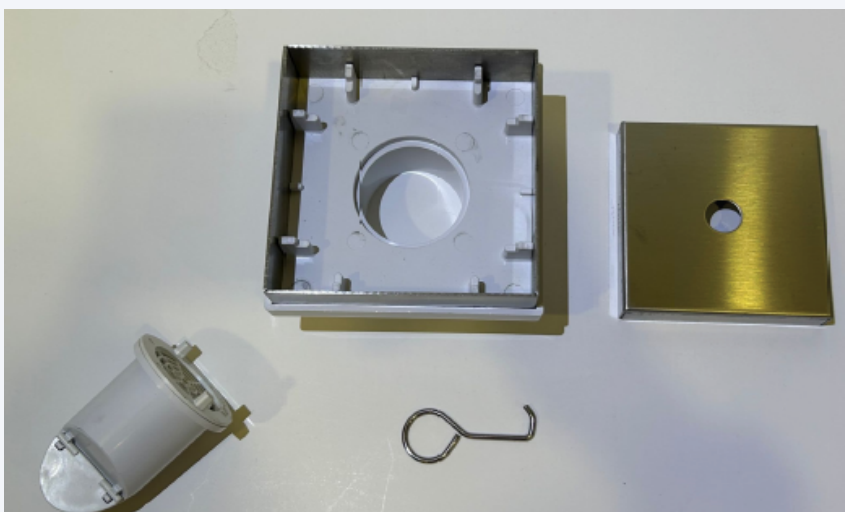
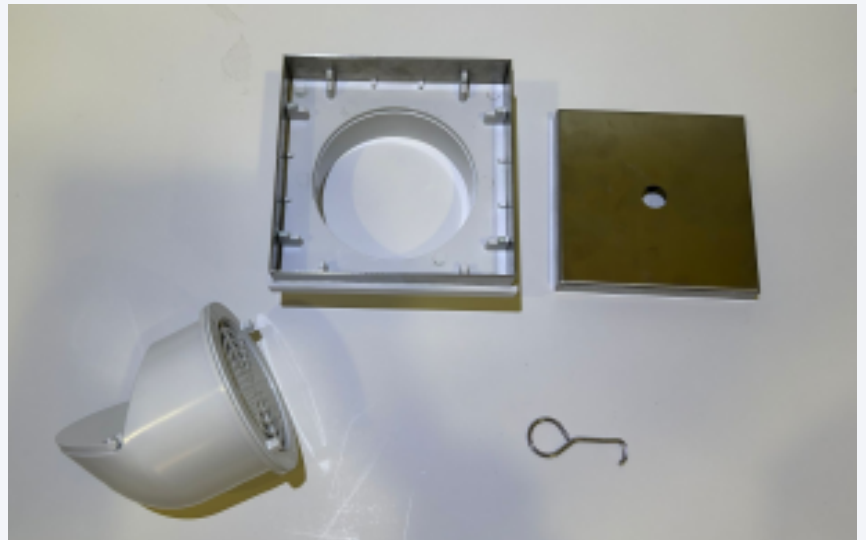
Catalog

STAINLESS STEEL FLOOR TRAP & GRATINGS

IN ACCORDANCE:

SS 213 : 1998

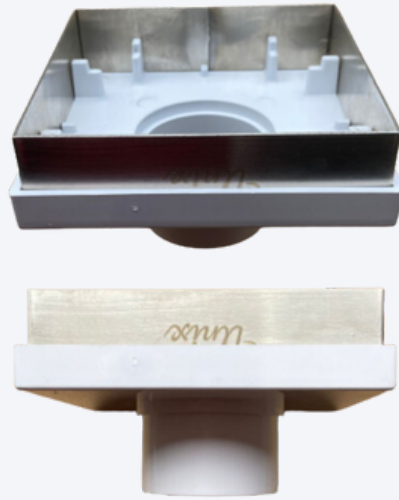
SUS 304



Unix

STAINLESS STEEL CONCEALED FLOOR TRAP OUTLET (100MM Dia)

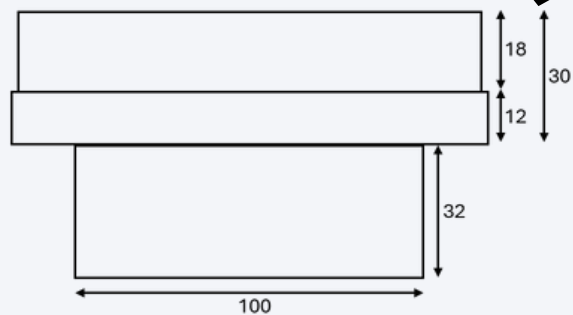
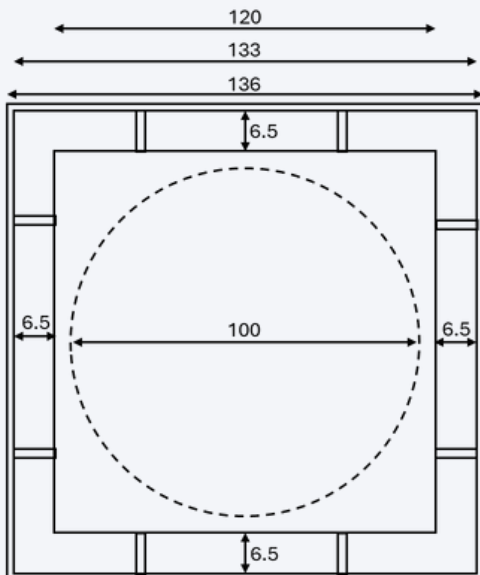
FT-150



Comes With
Anti- Mosquito Cover



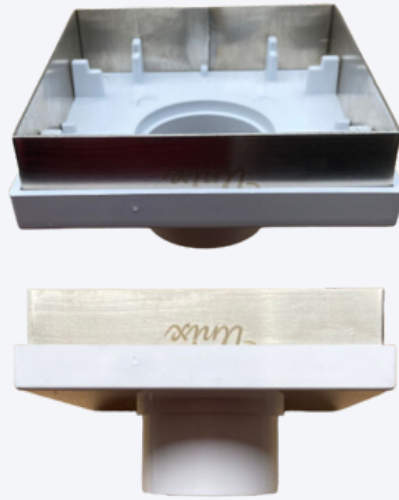
Handle Bars for
easy removal



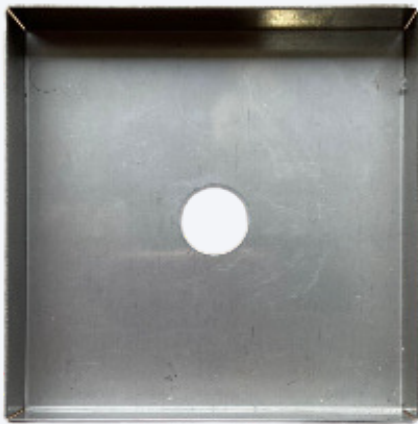
Unix

**STAINLESS STEEL
CONCEALED FLOOR TRAP OUTLET
(80MM & 50MM Dia)**

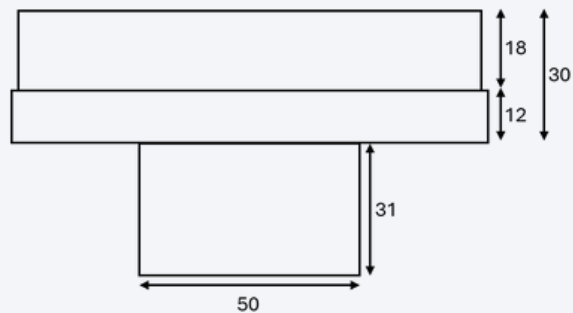
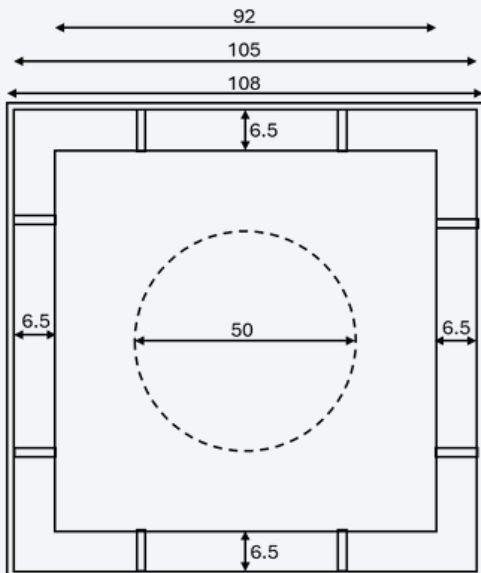
FT-100



Comes With
Anti- Mosquito Cover



Handle Bars for
easy removal



BY

Atom